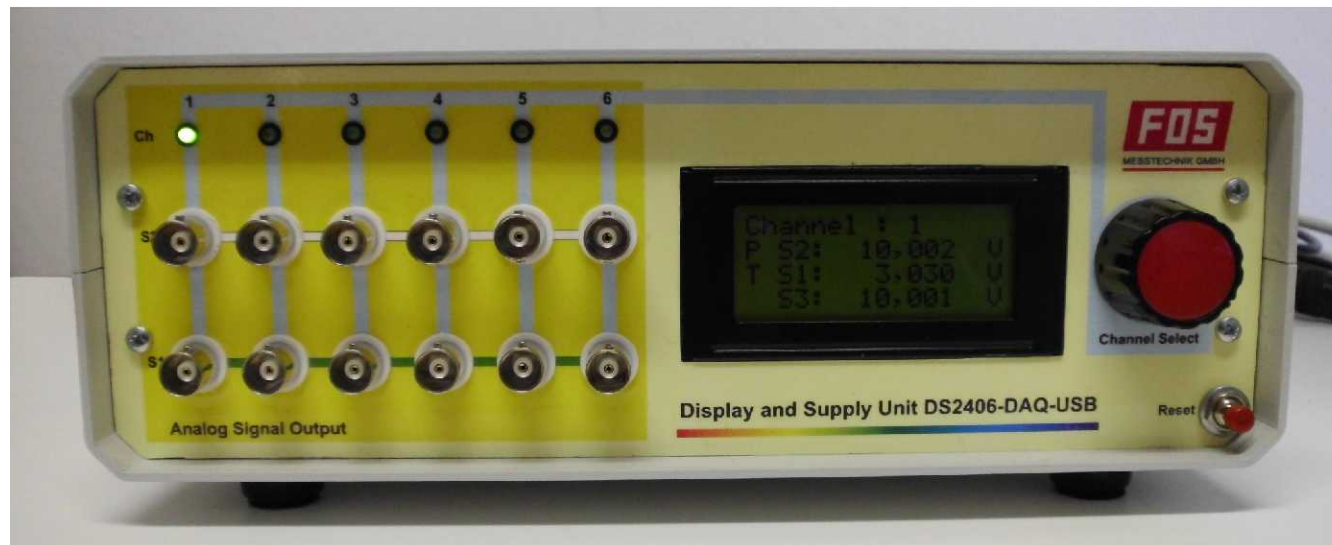
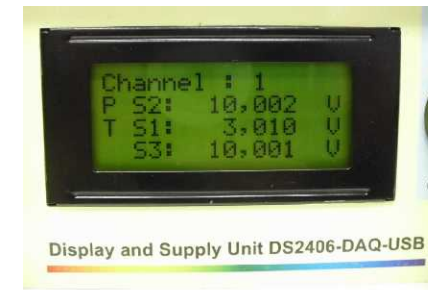


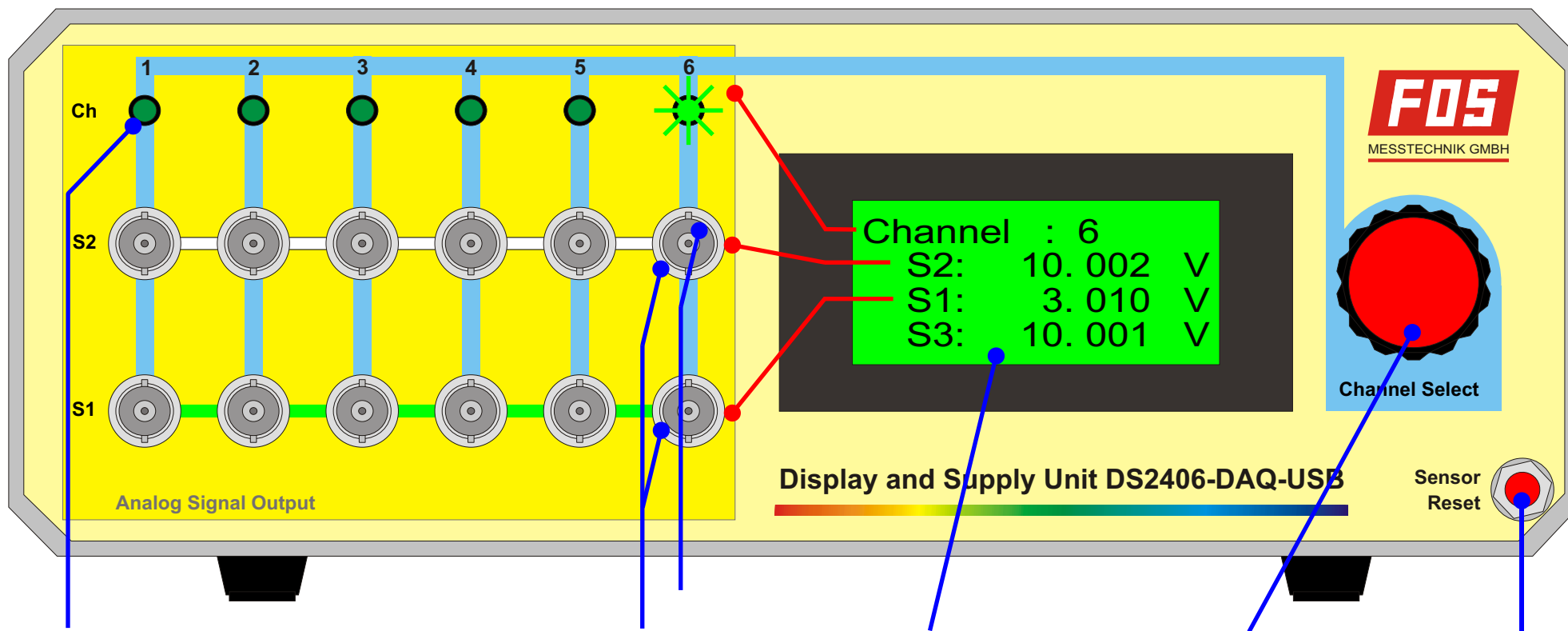
Operating Instruction

Display and Supply Unit

DS2406-DAQ-USB



Mai 2012



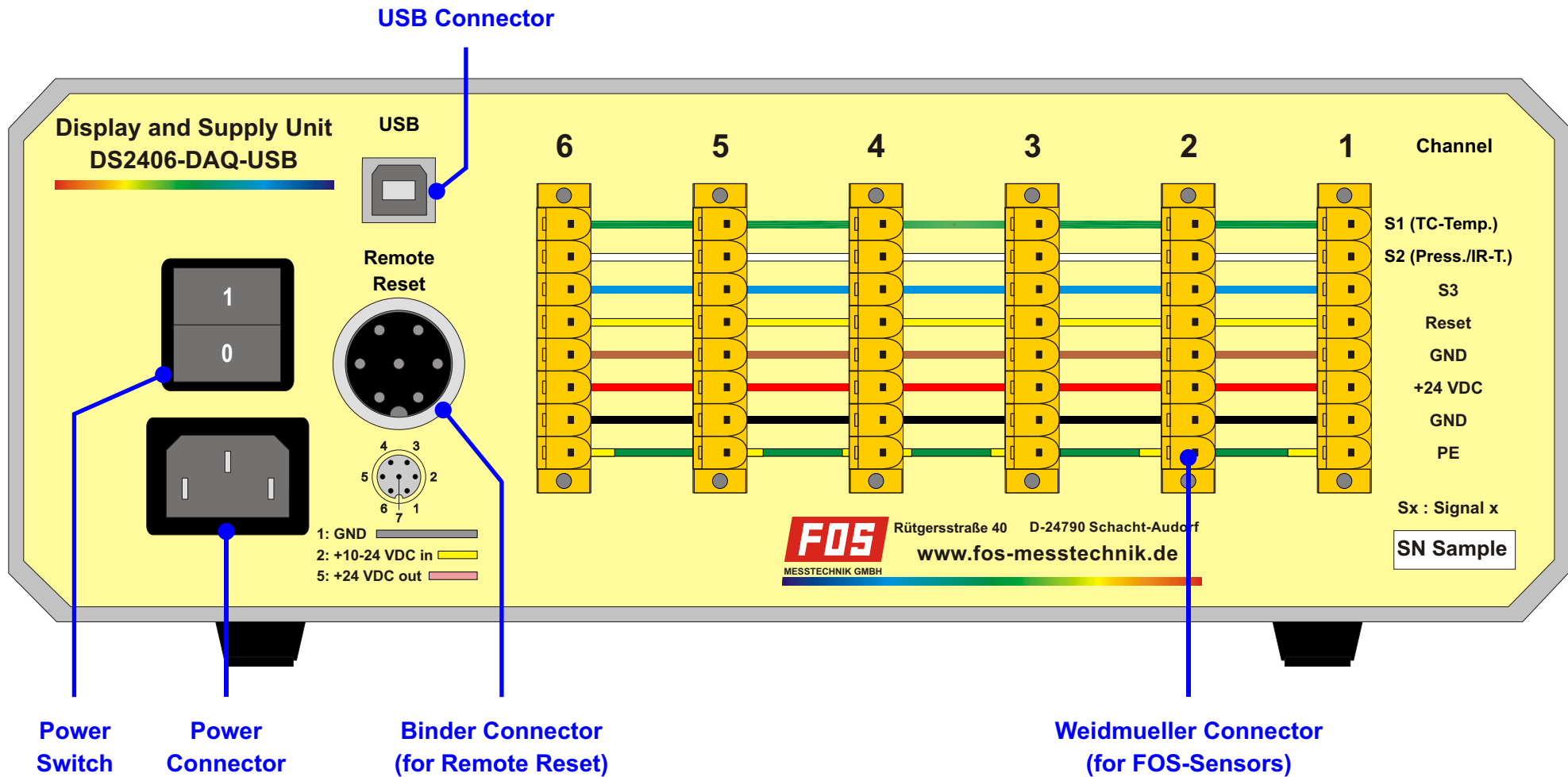
Channel Select
LED

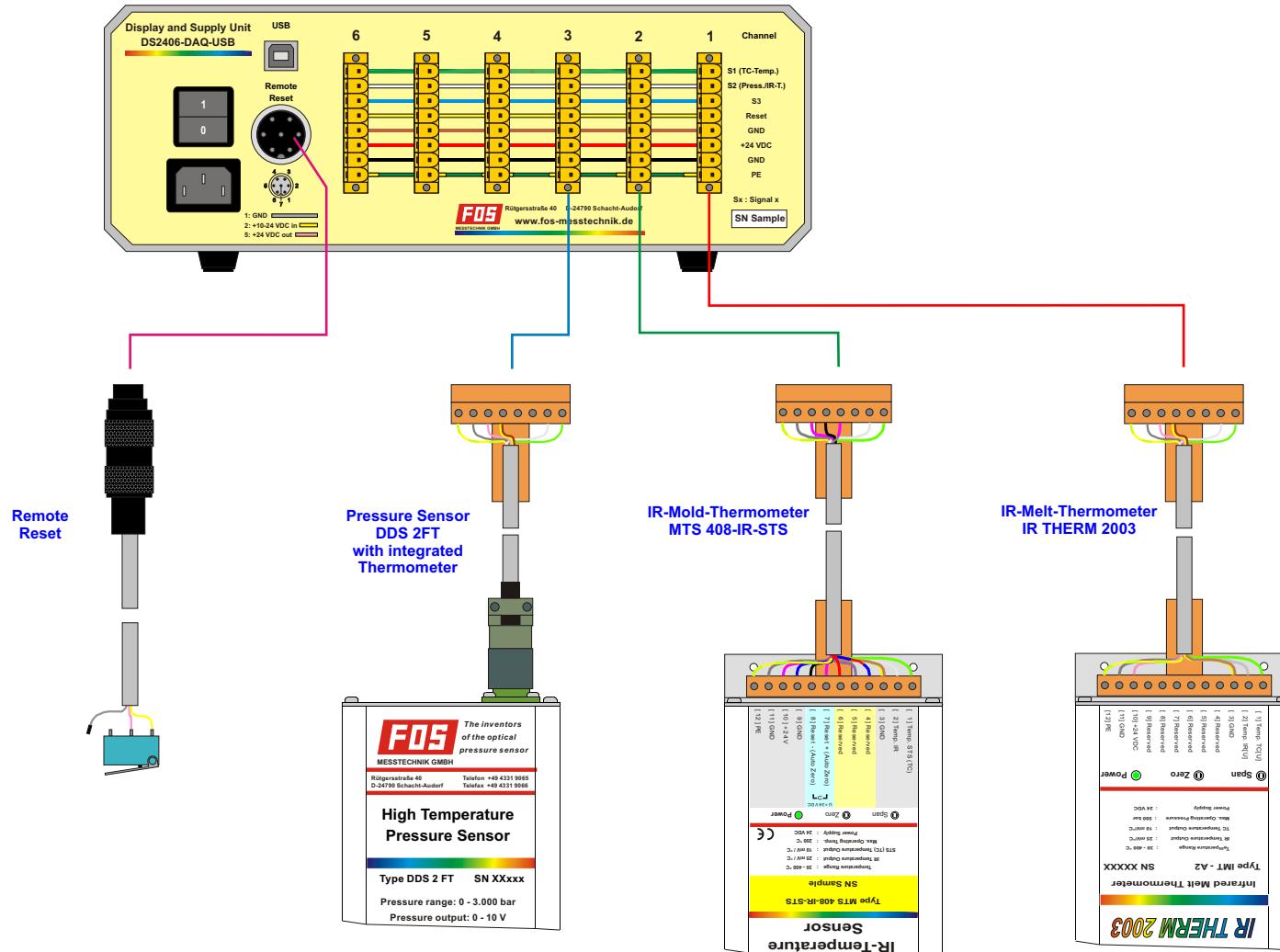
Analog Signal
Output

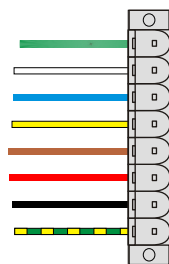
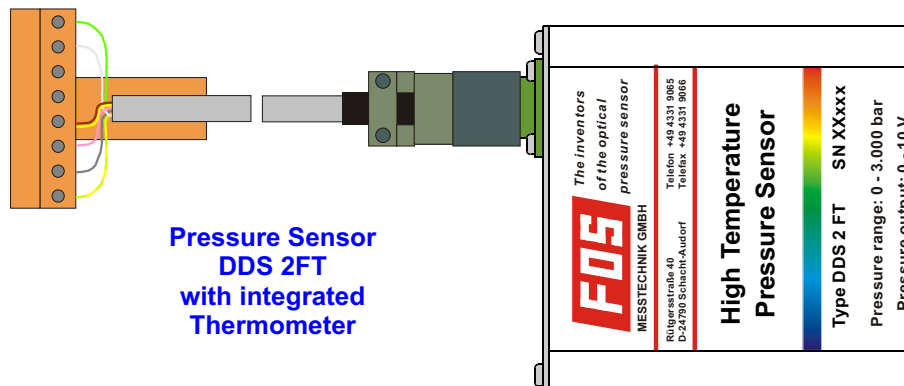
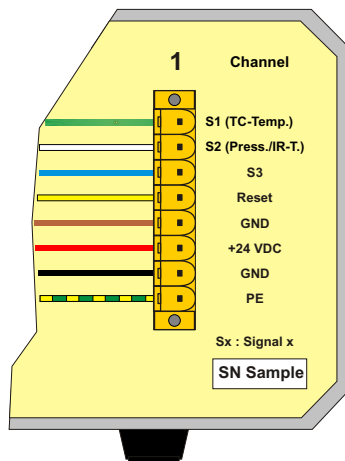
Display

Channel Dial (Turn)
(MCU Reset (Press))

Sensor Reset
(Trigger (DAQ))







DS 2406-DAQ

- | | |
|-------------------------|----------------|
| S1 (TC-Temp.) [1] | green |
| S2 (Press./IR-T.) [2] | white |
| S3 [3] | |
| Reset [4] | brown + yellow |
| GND [5] | pink |
| +24 VDC [6] | grey |
| GND [7] | yellow-green |
| PE [8] | |

Connecting cable

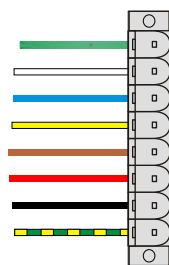
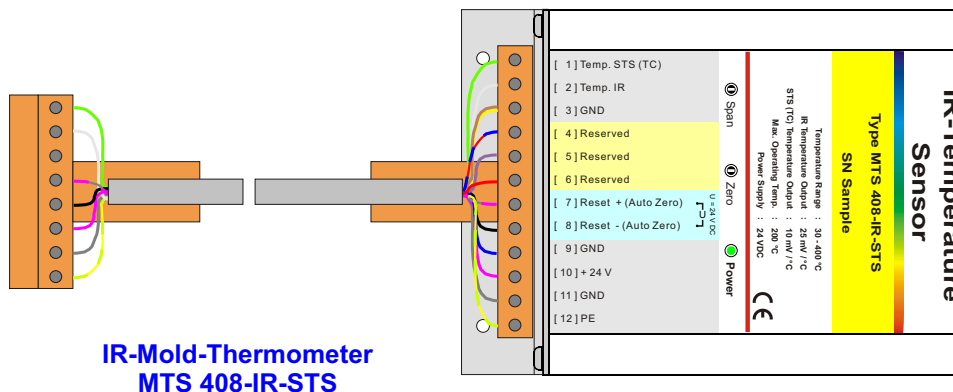
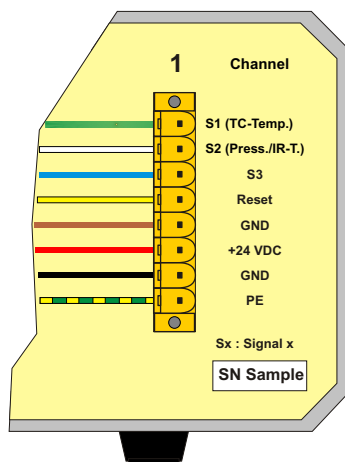
- | |
|--------------|
| green |
| white |
| brown |
| yellow |
| pink |
| grey |
| yellow-green |

Connecting cable

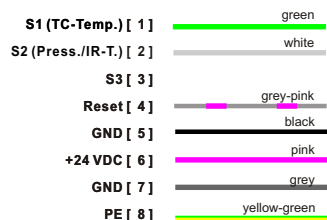


Connector

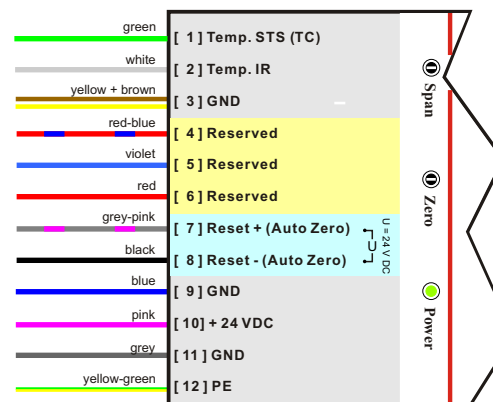
DDS 2FT- amplifier



DS 2406-DAQ

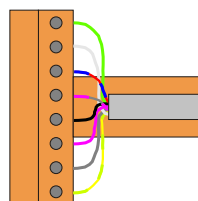
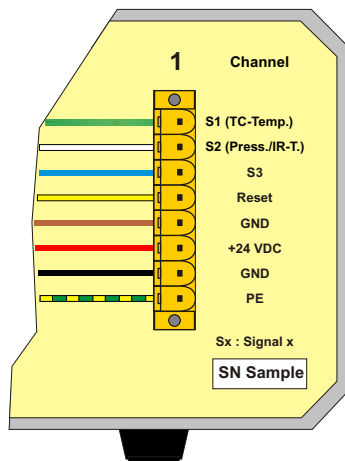


Connecting cable

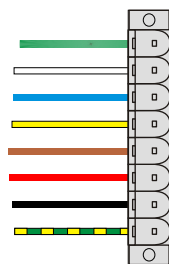
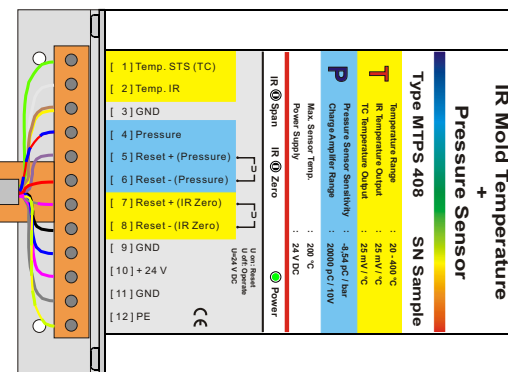


Connecting cable

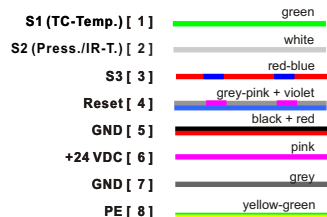
MTS 408- amplifier



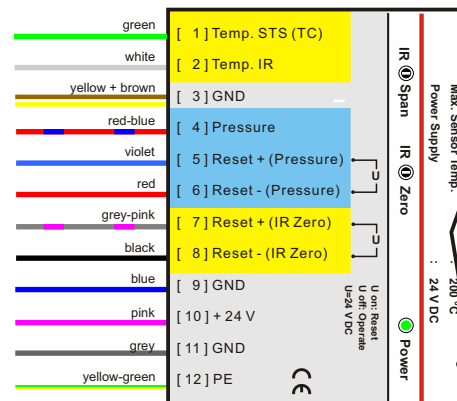
IR-Mold-Thermometer
and Pressure Sensor
MTPS 408



DS 2406-DAQ

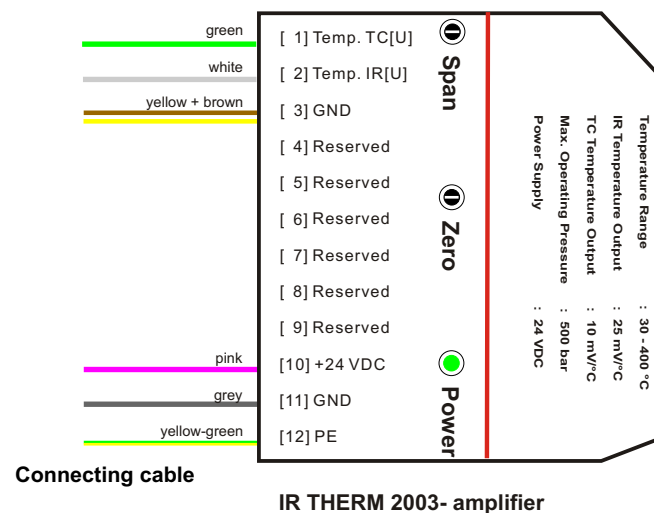
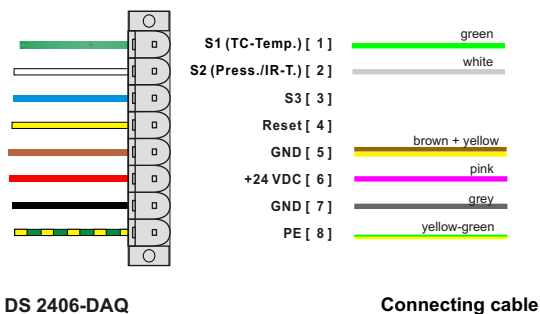
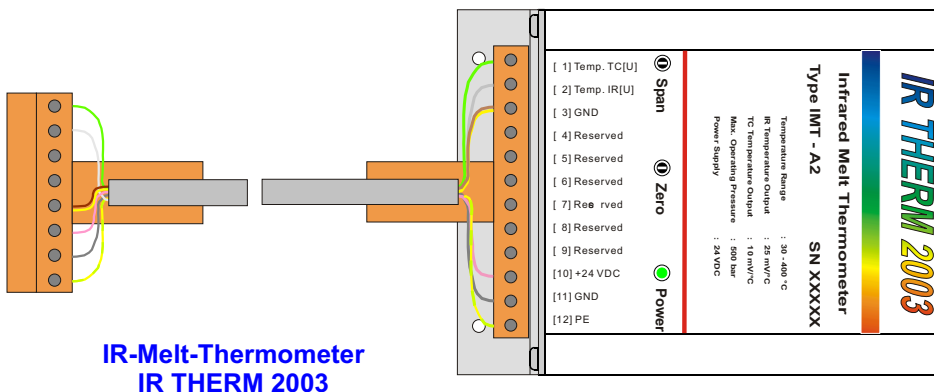
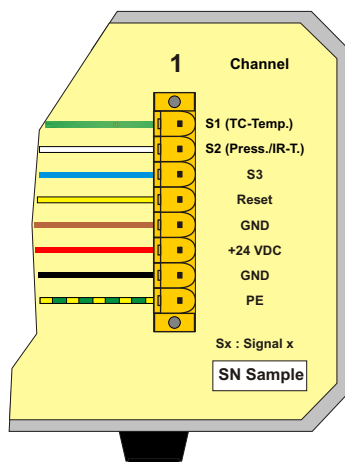


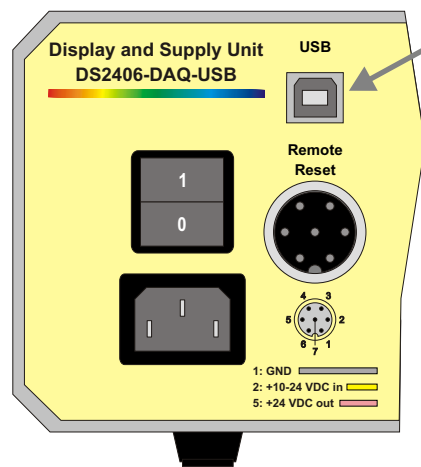
Connecting cable



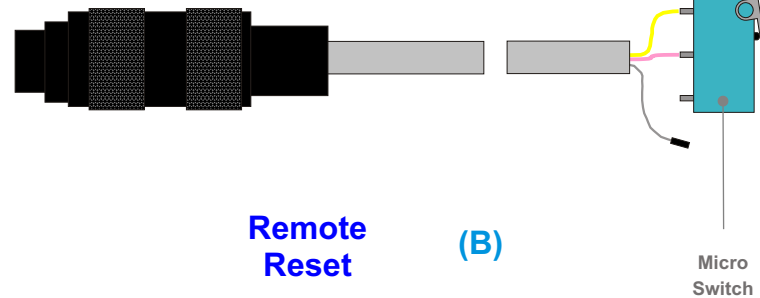
Connecting cable

MTPS 408- amplifier





DAQ-Software Reset (A)

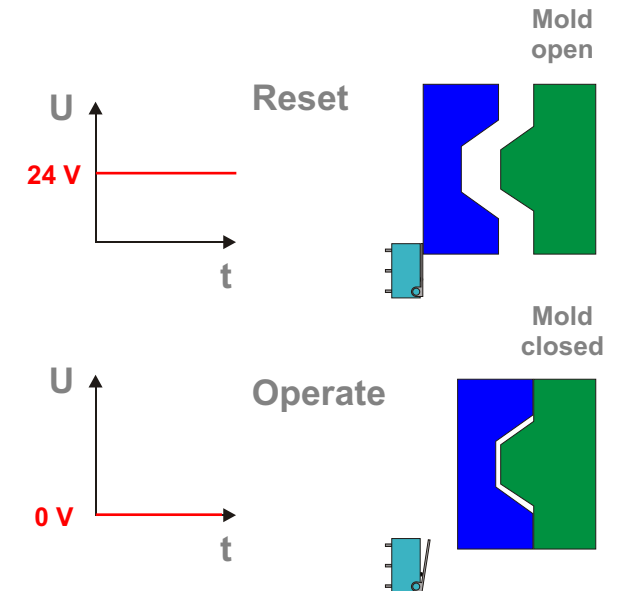


Remote Reset (B)

Manual Reset (C)



Press to Reset



Sensor Reset = Trigger (DAQ)